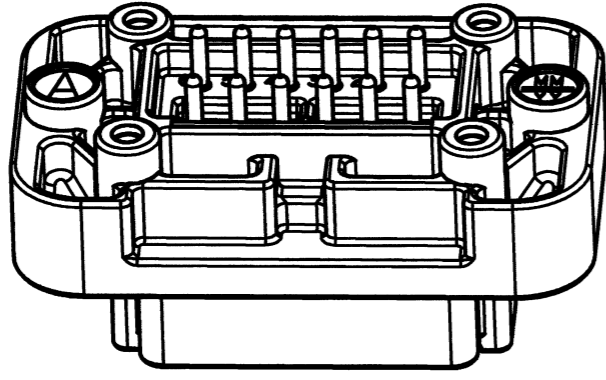
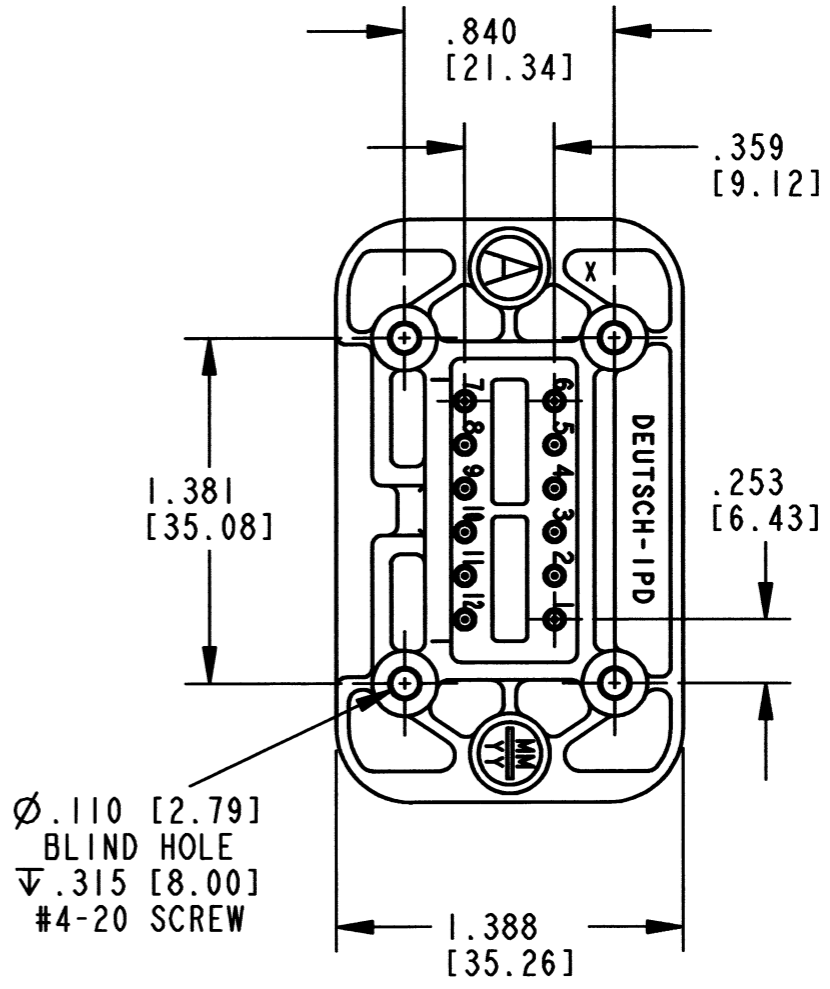
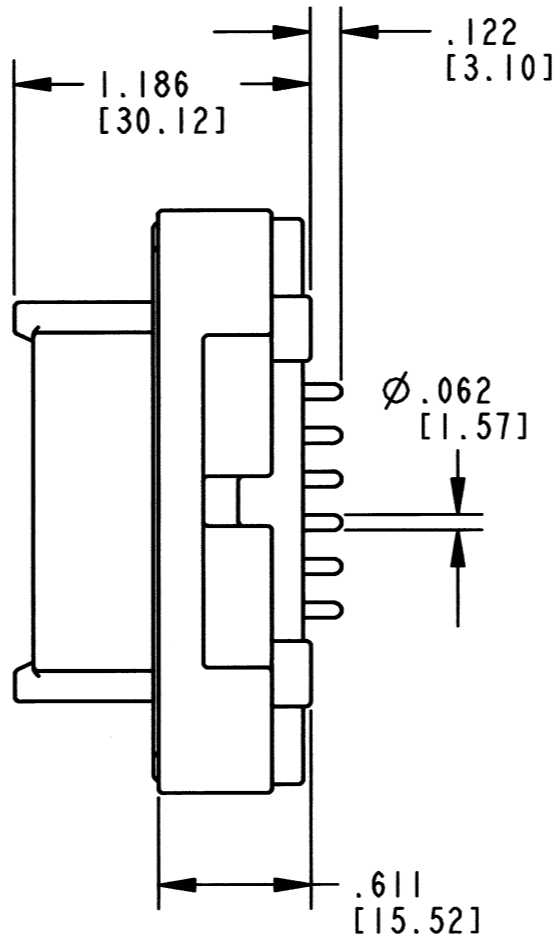
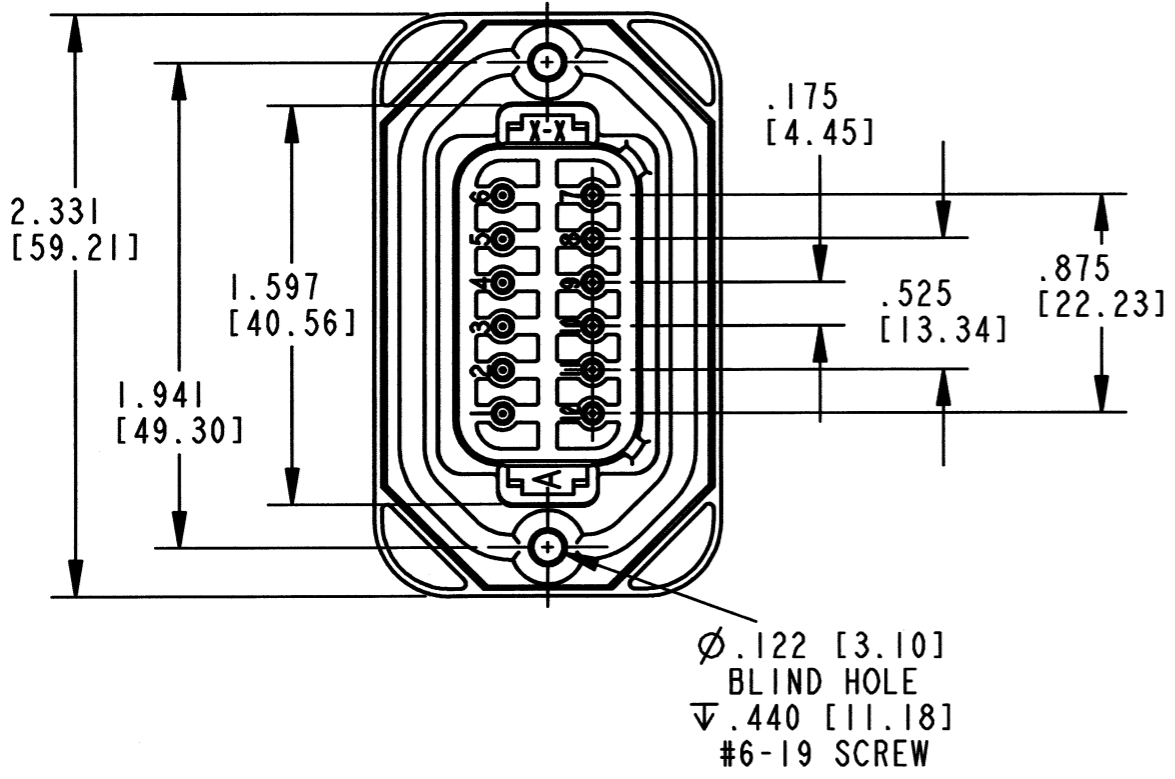


REV  
A DT15-12P\*-G003

REVISIONS			
SYM	DESCRIPTION	DATE	APPROVED
NC	NEW RELEASE PER E.O. P17308	9/24/01	R.D.R.
A	REVISED PER E.O. P21065	8-26-11	<i>ADP</i>



3D VIEW



- NOTES:
- DIMENSIONS SHOWN IN INCHES [MILLIMETERS].
  - DIMENSION TOLERANCE  $\pm .025$  [.64]. FOR PANEL CUTOUTS  $\pm .010$  [.25].
  - SHELL MATERIAL: PLASTIC; FLANGE SEAL MATERIAL: RUBBER.
  - THIS RECEPTACLE MATES WITH DT06-12S\* PLUG -\*\*\*\*- ALL MODIFICATIONS.
  - MOUNTING HOLES WILL ACCEPT CAMCAR PLASTITE SELF THREAD SCREWS (NOT INCLUDED). EXAMPLE: #6-19, #4-20.
  - RECOMMENDED TORQUE VALUES ARE AS FOLLOWS: #6-19 SCREWS: 10-20 IN LB. [1.13-2.26 N-M]. #4-20 SCREWS: 6-10 IN LB. [.68-1.13 N-M].

SIGNATURE & DATE	
DR	P. BURKE 6/8/01
CHK	<i>P. Byford 8/26/01</i>
PE	<i>Klicker 8/15/11</i>
APPD	<i>S. Beme 8/25/11</i>
SCALE	NONE WT

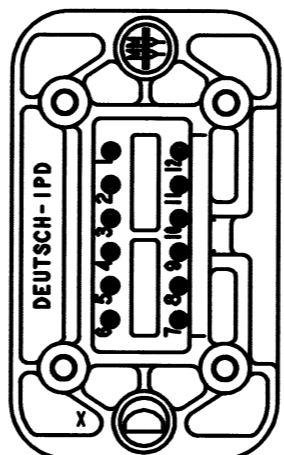
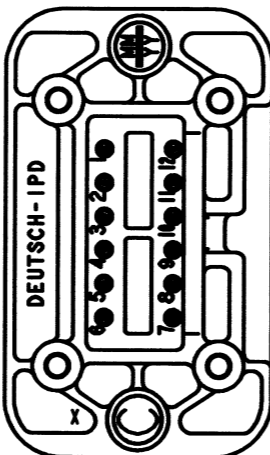
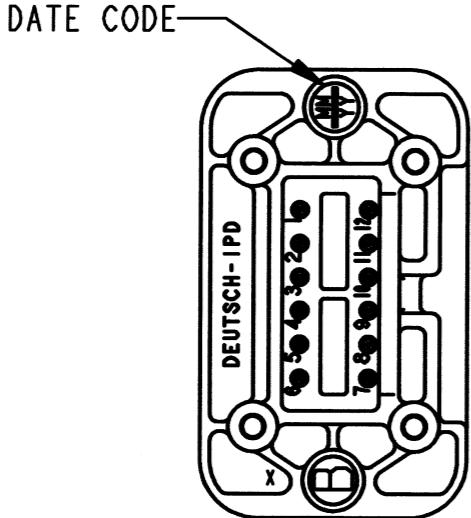
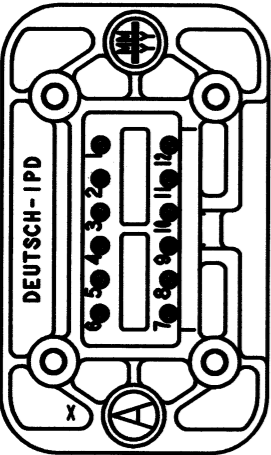
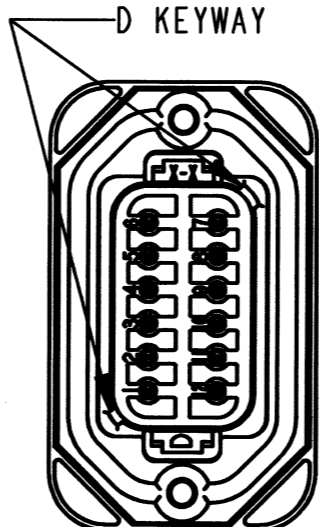
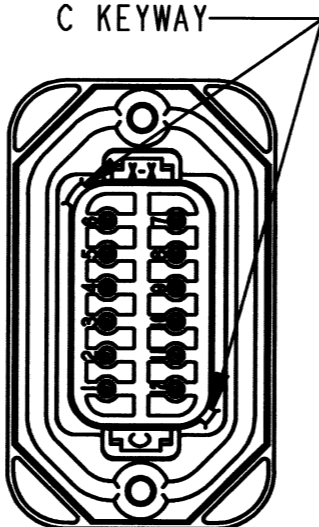
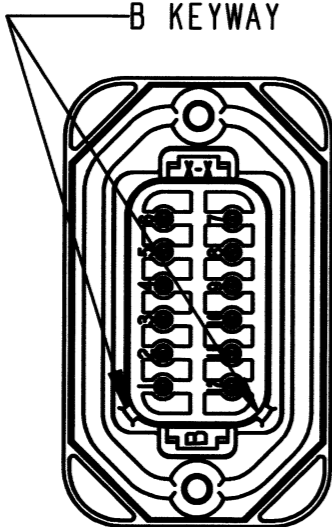
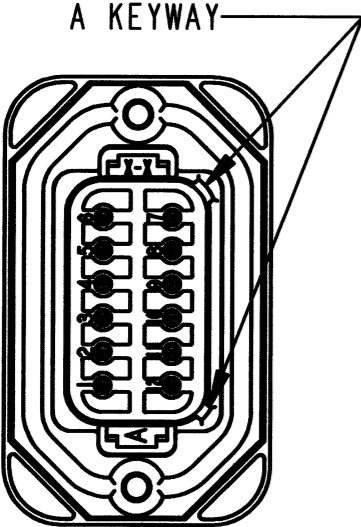
**PCB MOUNT  
RECEPTACLE  
12 PINS STRAIGHT  
DT SERIES**

ENVELOPE

EP	MATL. CODE
3850 INDUSTRIAL AVE. HEMET, CA 92545	
<b>B</b>	<b>DT15-12P*-G003</b>
DWG SIZE	CODE 11139 SHEET 1 OF 2

REV  
A DT15-12P\*-G003

REVISIONS			
SYM	DESCRIPTION	DATE	APPROVED
A	SEE SHEET ONE	8-26-11	<i>ADP</i>

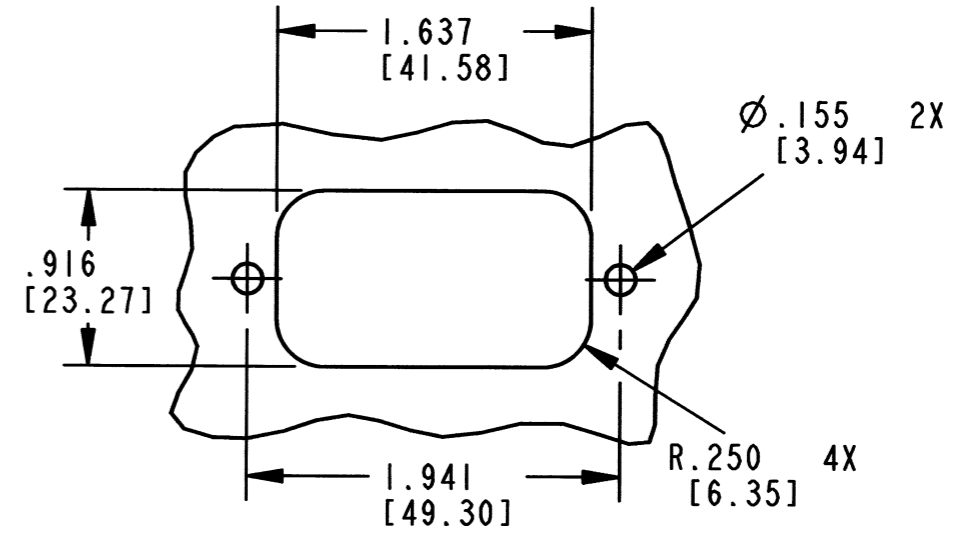
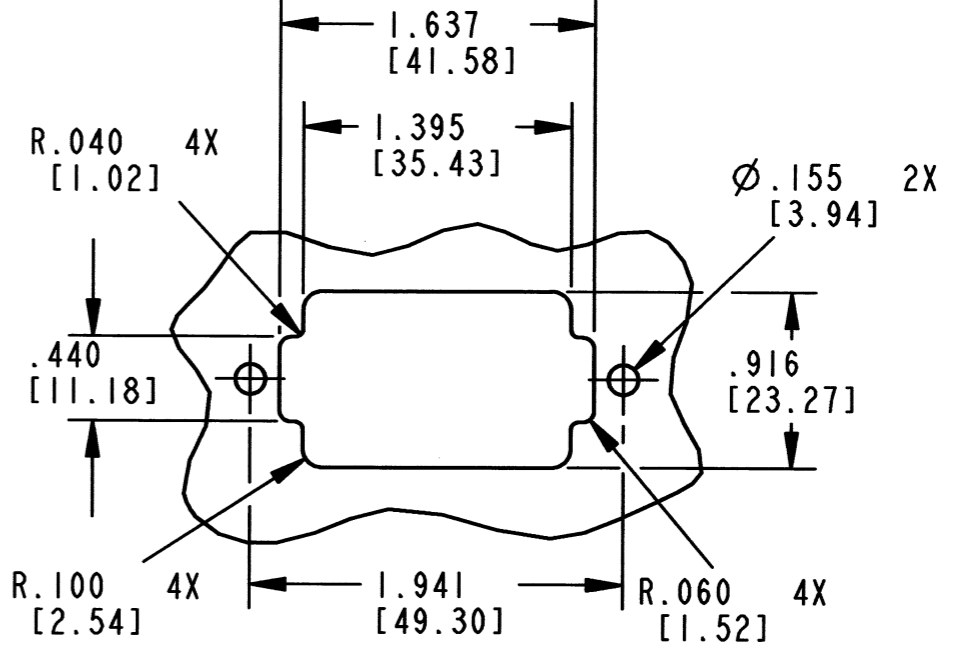


DT15-12PA-G003  
COLOR GREY

DT15-12PB-G003  
COLOR BLACK

DT15-12PC-G003  
COLOR GREEN

DT15-12PD-G003  
COLOR BROWN



RECOMMENDED PANEL CUTOUTS




NOTES:

SIGNATURE & DATE	
DR	<i>P. BURKE</i> 6/8/01
CHK	<i>P. Burke</i> 8/26/11
PE	<i>Klicker</i> 4/15/11
APPD	<i>S. Beard</i> 8/25/11
SCALE	NONE WT

PCB MOUNT  
RECEPTACLE  
12 PINS STRAIGHT  
DT SERIES

ENVELOPE

EP	MATL. CODE
 3850 INDUSTRIAL AVE. HEMET, CA 92545	
<b>B</b>	<b>DT15-12P*-G003</b>
DWG SIZE	CODE 11139 SHEET 2 OF 2